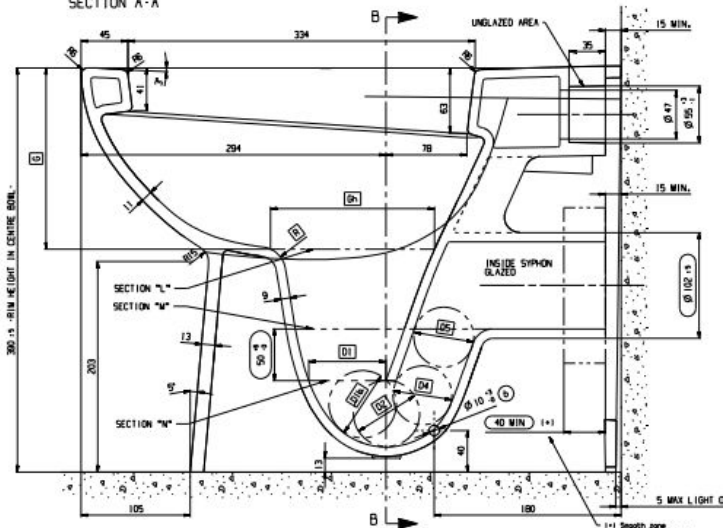


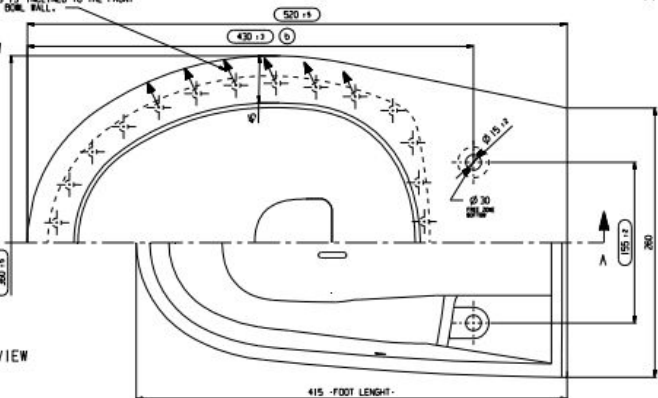
SECTION A-A



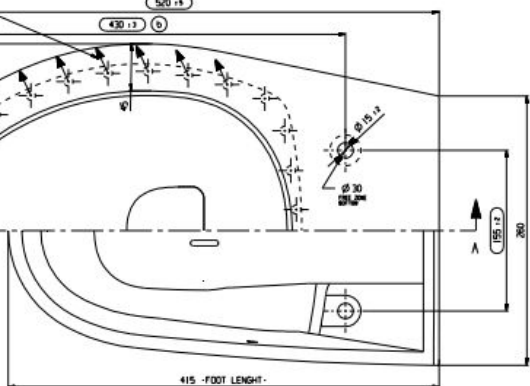
TOTAL OF 28  $\varnothing 9$ mm HOLES ON THE BOTTOM OF THE RIM.  
DISTANCE BETWEEN HOLE CENTERS: 25mm

12 SIPHON HOLES 15° INCLINED TO THE FRONT  
AND 5° TO THE SIDE WALL.

TOP VIEW

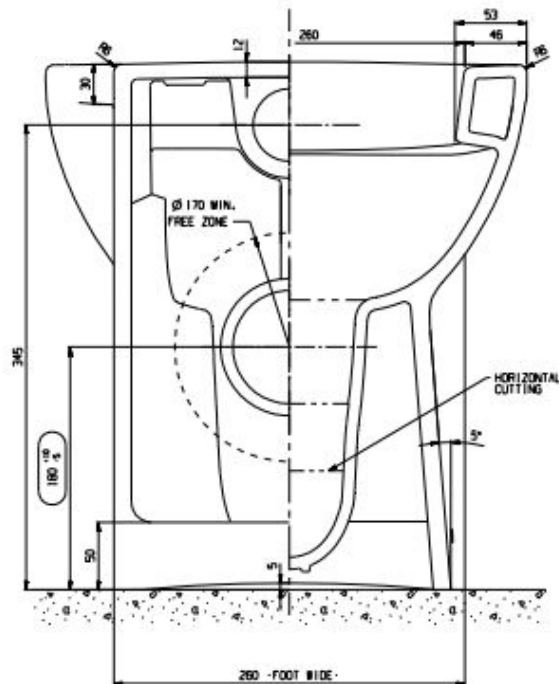


BOTTOM VIEW



SECTION B-B

BACK VIEW



CASTING DATE  
AND OPERATOR



AREA FOR MARKINGS